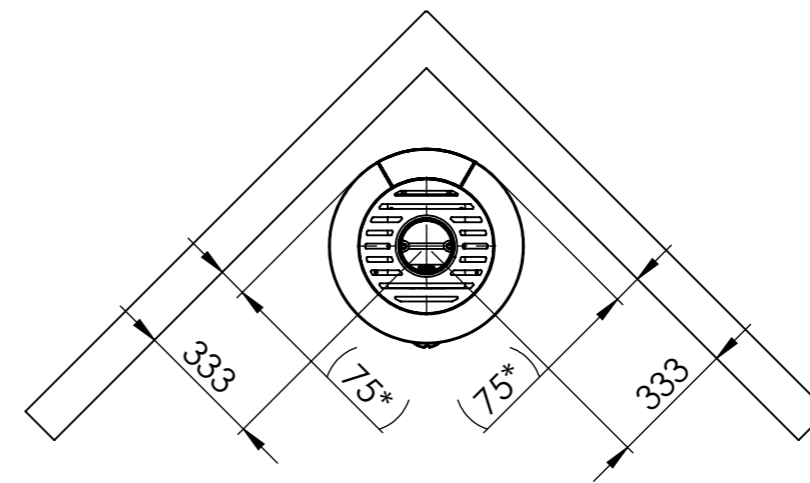
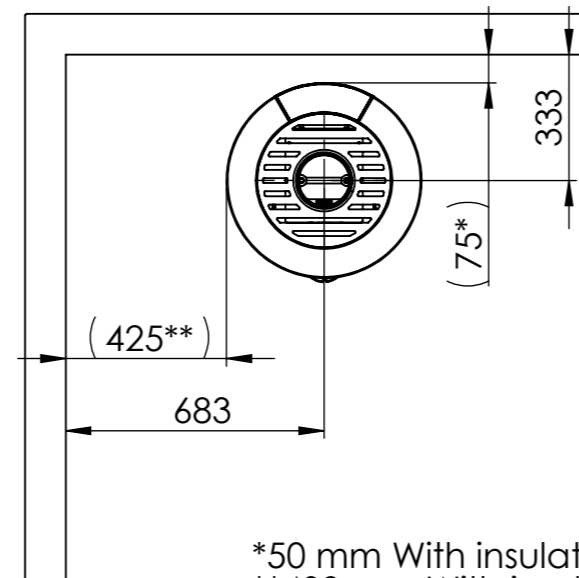
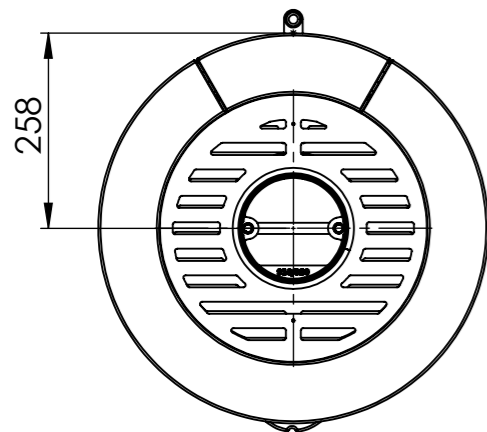
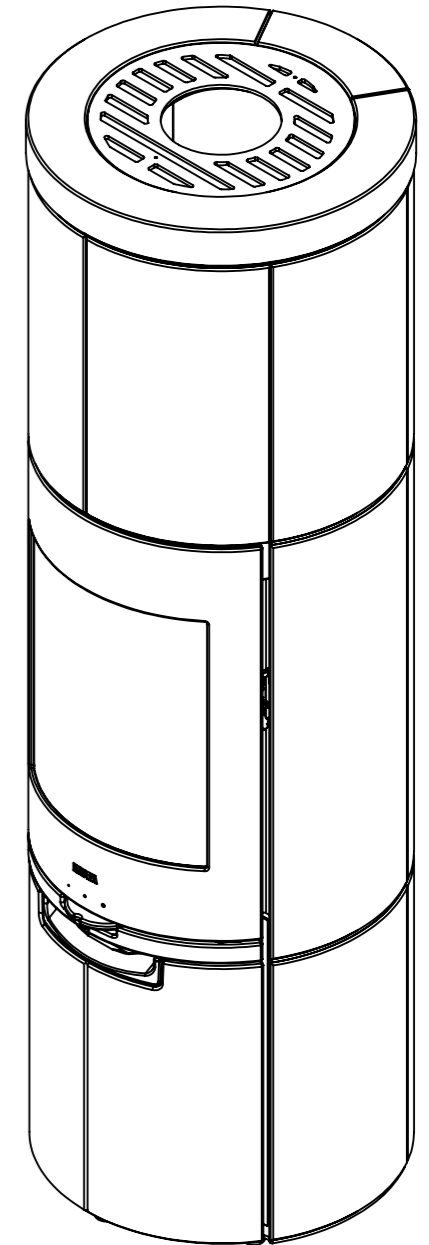
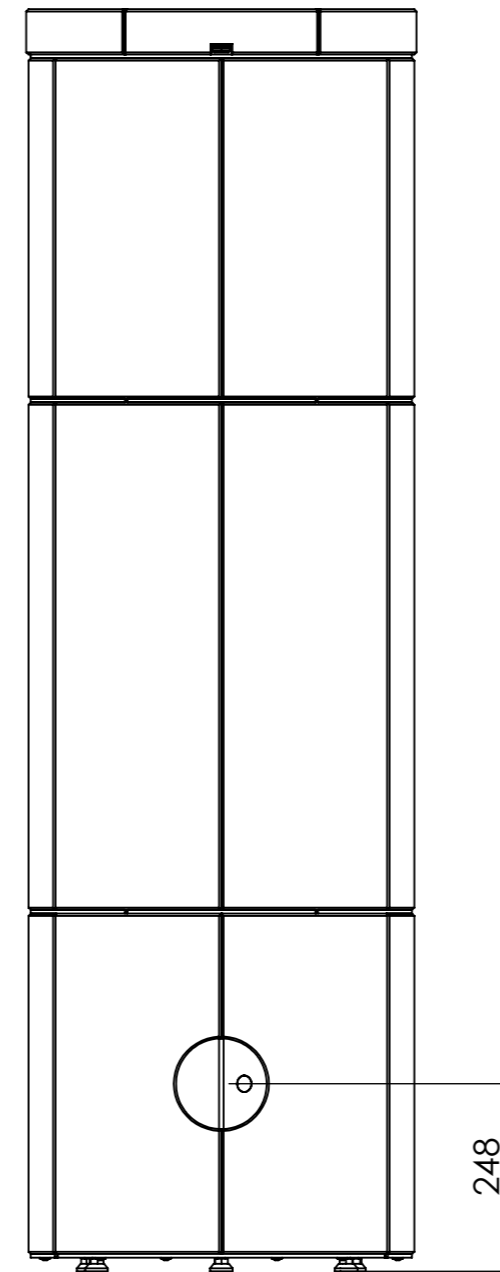
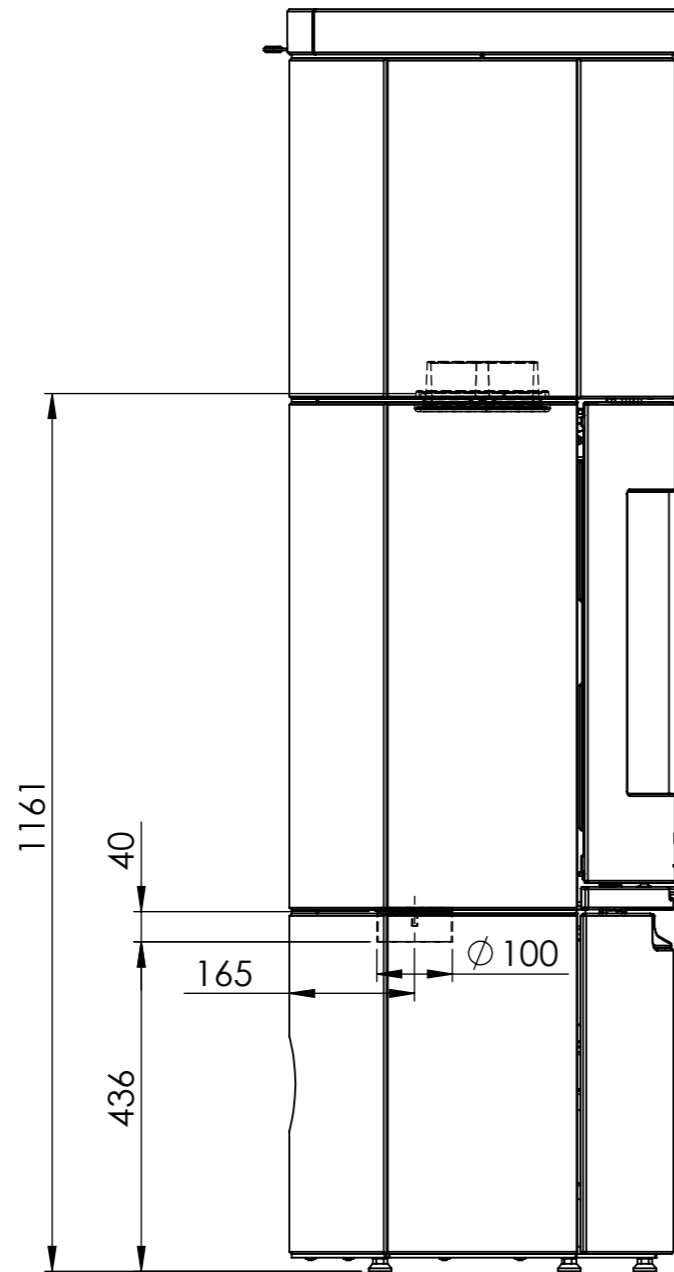
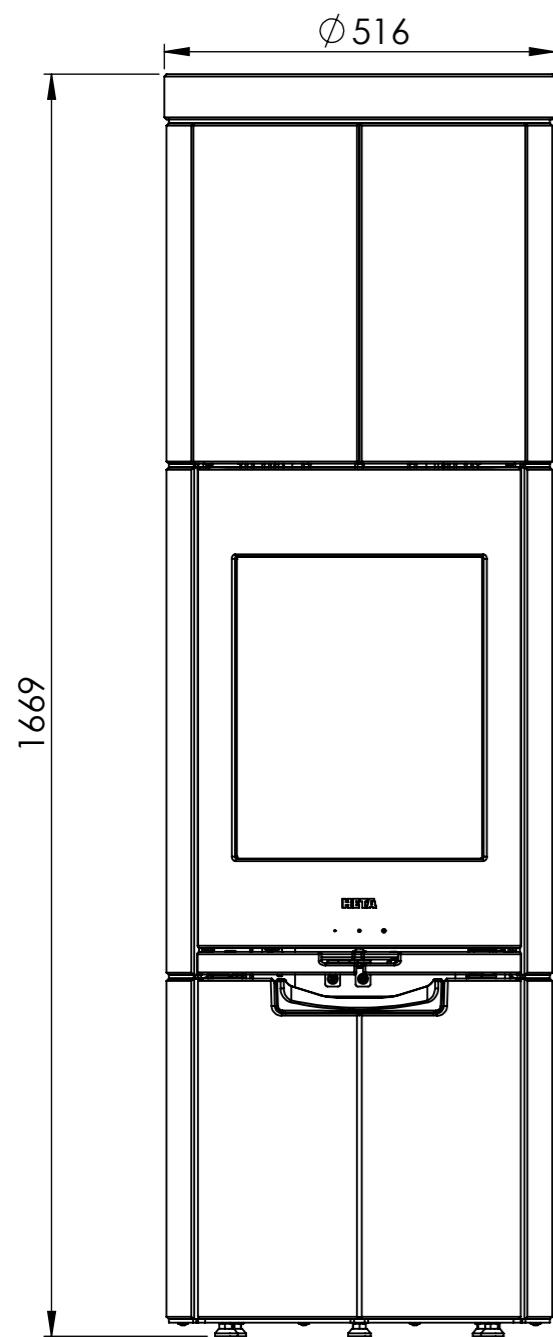




Serie	Scan-Line 910-920B-920S
Description	Scan-Line 920S



\*50 mm With insulation/ shielding of the flue gas connector (308 mm to center)  
\*\*400 mm With insulation/ shielding of the flue gas connector (658 mm to center)