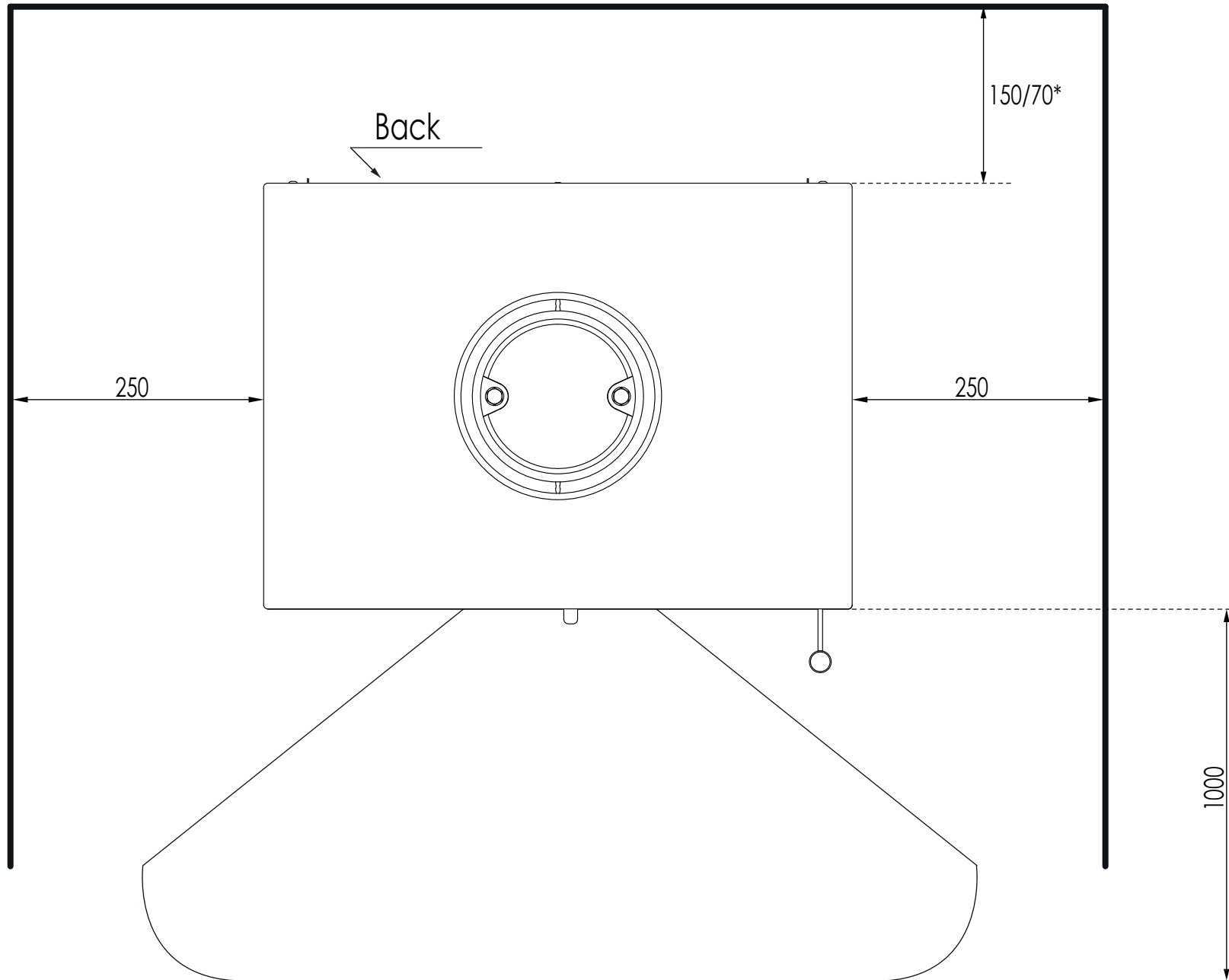


Distance (mm) to flammable material



\* with insulated pipe