

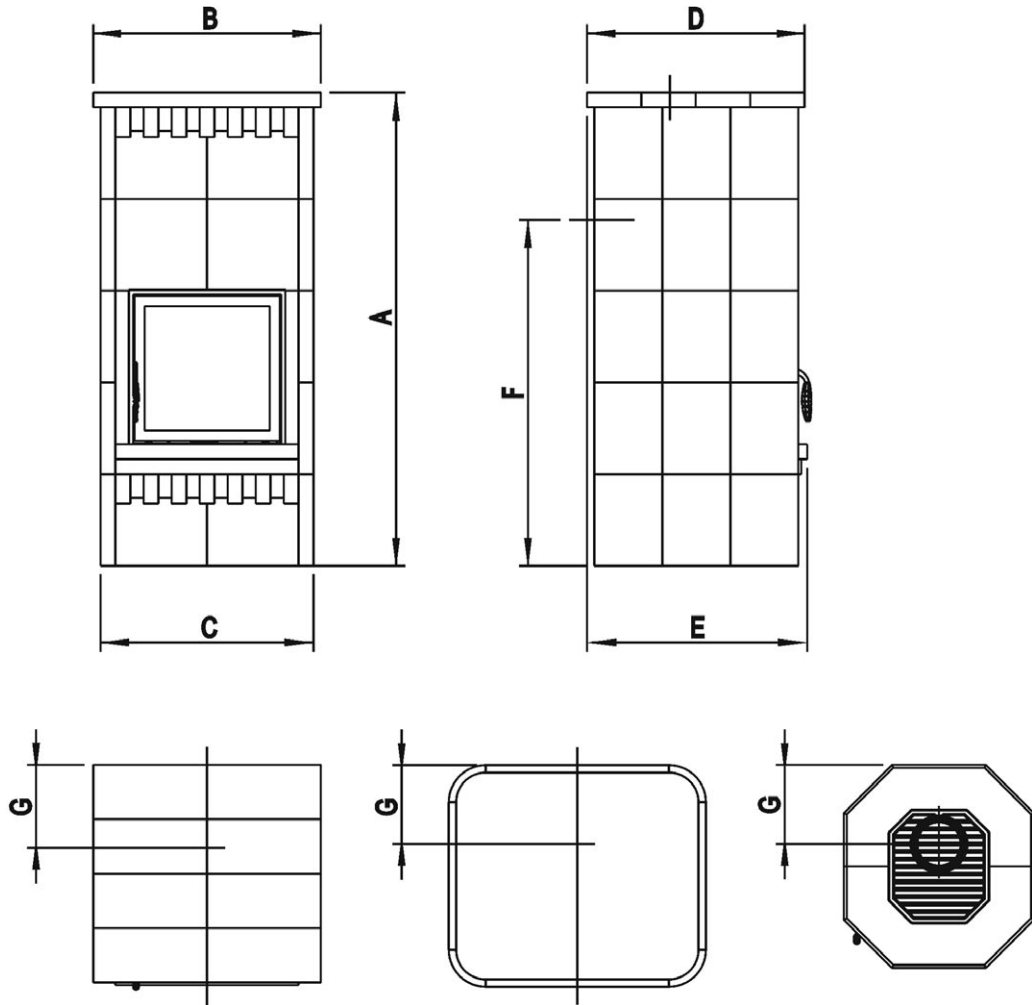
MADURA Technical Data

Roomheater type MADURA		101	201	301
Inspection in accordance with EN 13240		CE mark		
Data for the flue dimensioning according to EN 13384 parts 1 and 2				
Nominal heat output	[kW]	8		
Heat output range	[kW]	7 - 10		
Flue spigot temperature	[°C]	290	290	330
Flue gas mass flow	[g/s]	10,6	10,6	7,0
Data for the chimney unit dimensioning in relation to the rated heat load				
Fuel filling quantity	[kg]	3,0		
Burning rate	[kg/h]	2,7		
Minimum- / Maximum ¹⁾ feed pressure at the flue spigot	[Pa]	12 / 20		
Emission thresholds and efficiency factor				
CO in relation to 13% O ₂	[mg/m ³ _N]	< 1250		
Dust content in relation to 13% O ₂	[mg/m ³ _N]	< 40		
OGC in relation to 13% O ₂	[mg/m ³ _N]	< 120		
NO _x in relation to 13% O ₂	[mg/m ³ _N]	< 200		
Efficiency	[%]	> 75		
Minimum clearance distances from combustible materials				
rear	[cm]	20		
sides	[cm]	20		
In the radiation area of the viewing glass	[cm]	100		
Combustion air				
Combustion air demand	[m ³ /h]	32		
Combustion air inlet	Ø [mm]	125		
Dimensions and weights				
Burning chamber (w x h x d)	[cm]	42 x 49 x 31		
Weight roomheater	ca.[kg]	780	840	585

¹ This maximum value is important to get an optimal efficiency.

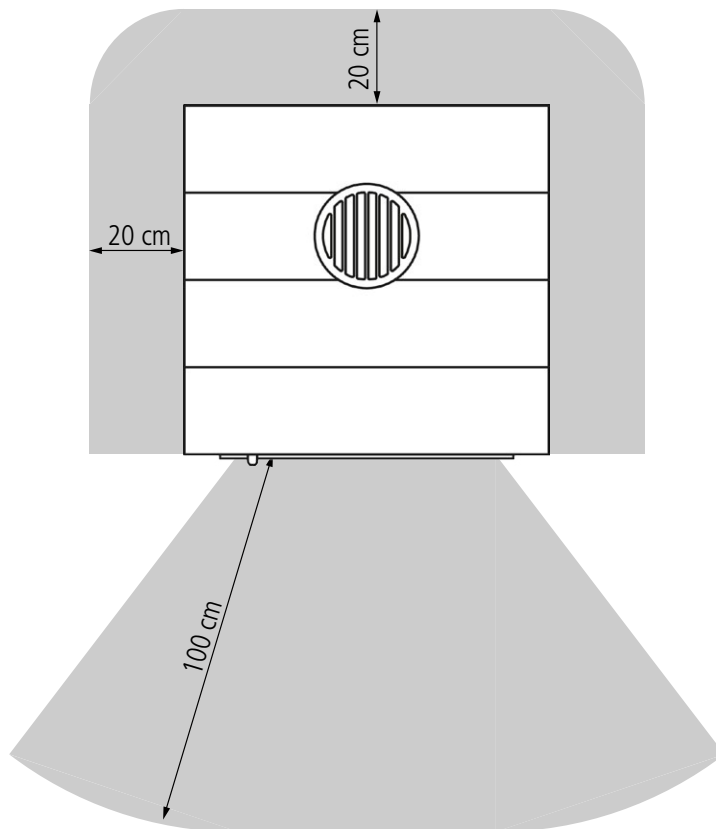
Modifications of the dimensions
and construction reserved!

Drawing is not true to scale!

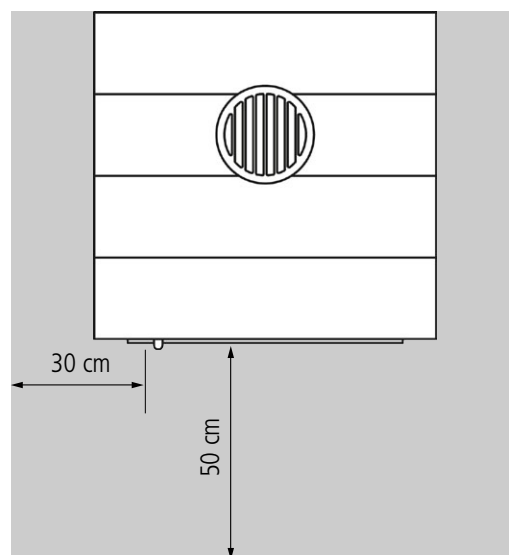
Dimensions


Dimension [mm]	MADURA 101	MADURA 201	MADURA 301	MADURA 301 incl. soap stone set
A	1600	1730	1410	1810
B	770	870	644	644
C	720	870	644	644
D	736	750	686,5	686,5
E	745	750	686,5	686,5
F	1170	1200	1210	1610
G	280	267	267	--

Minimum clearance distances from combustible materials and non burning floor underlay



Minimum clearance to the sides, rear and the radiation area of the viewing glass



non burning floor underlay to the sides and in the front of the roomheater