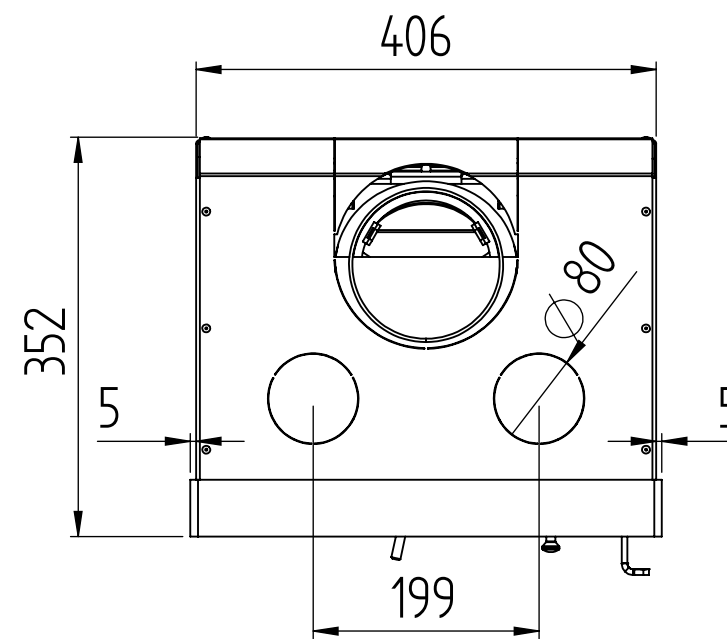
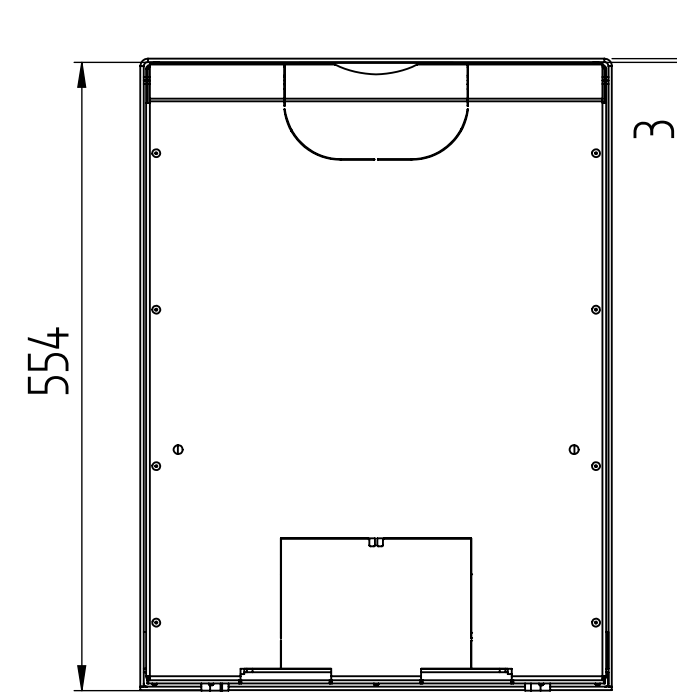
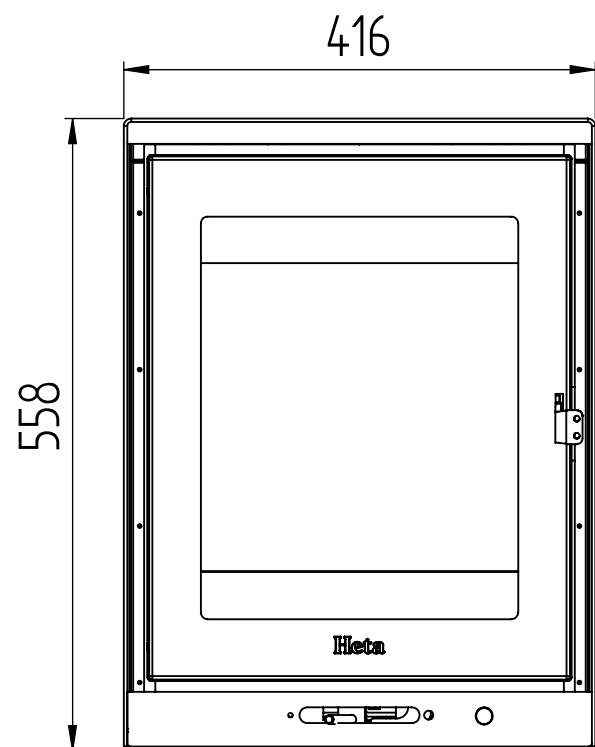




Center of $\phi 100$ air supply



REVISIONS										
REV.	DESCRIPTION								DATE	APPROVED
									01-05-2016	LK
-	Cutting	Thread	Tooling	Rolling	Bending	Heating	Sandblasting	Welding	Painting	Drawn
-	-	-	-	-	-	-	-	-	-	BH
Material						Thickness (mm)	Weight (kg)	Format	Scale	General tol.
							78.72	A3	1:6.67	ISO 2760-1 m
 www.heta.dk						Description Hidden Wall model Project Inspire 40 Insert				
						Part no.				Sheet
<small>All information contained in this document is property of HETA. Without written permission, any copying, transmittal to other, and any use except that for which it is loaned is prohibited.</small>								8150-0010		1 OF 1