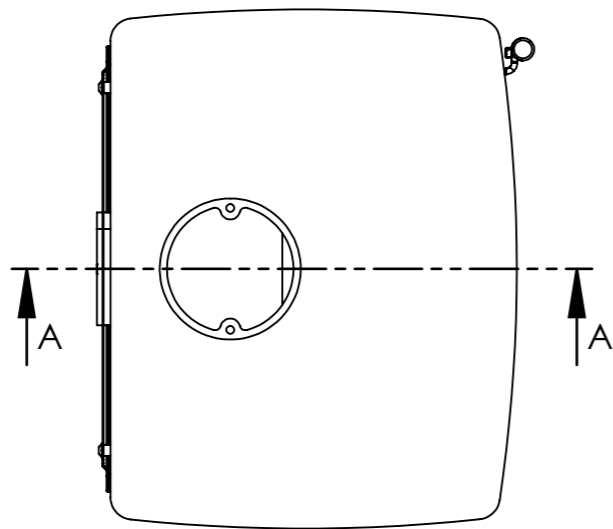



SECTION A-A

465



Cutting	Thread	Tooling	Rolling	Bending	Heating	Sandblasting	Welding	Painting	Drawn	
-	-	-	-	-	-	-	-	-	TT	
Material						Thickness (mm)	Weight (kg)	Format	Scale	General tol.
						92.69	A3	1:6.7		
 www.heta.dk						Description <b>Overview</b> Project <b>Inspire 40H</b>				
						Part no. <b>8050-0100-måltegning</b>				
<small>All information contained in this document is property of HETA. Without written permission, any copying, transmittal to other, and any use except that for which it is loaned is prohibited.</small>										