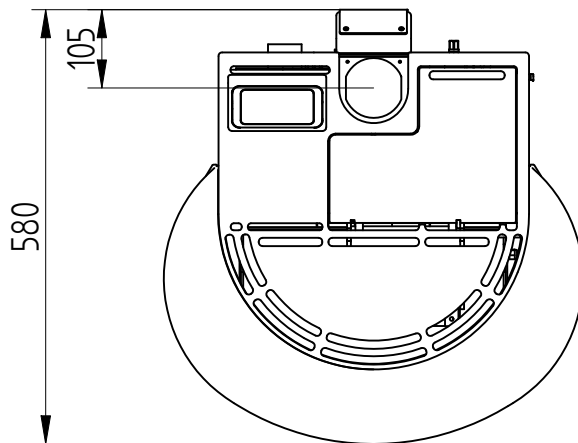



- Rear outlet 1
- Heta combustion air system
- Rear outlet 2
- Heta hot air supply
- Top outlet



veint	Area	Materiel	Proces	
 Heta Jupitervej 22 7620 Lemvig Tlf. 96630600 Fax 96630616	Bending number		Last access	
	Bend 1		Drawing	
	Bend 2		Last change/ Rev Nr	
	Cut number		Date/Rev Nr	
Roll adjustment			General tolerance. DS/ISO 2768-1-m	
1		2	<small>4203-0020.dft</small>	
Roll Pressure				