



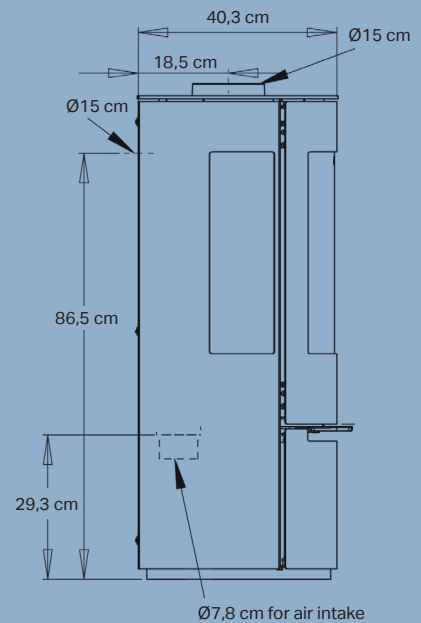
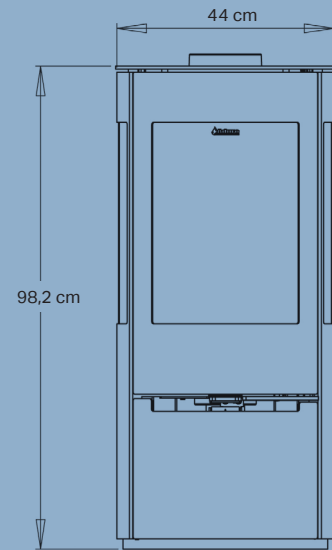
Aduro 22

- Easy operation
- Clean combustion
- Effective air-wash system
- 5 year warranty*



**Aduro
Tronic**

Automatic
air supply
up to 40%
less wood
consumption



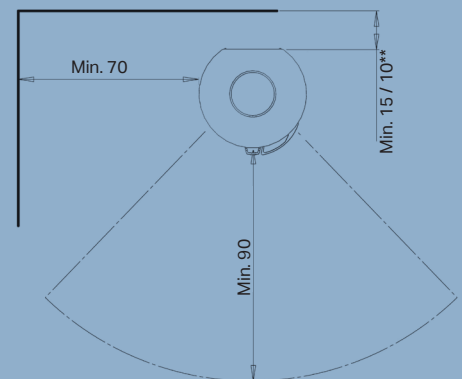
Specifications

Nominal power	6,0 kW
Heats	30-140 m ²
Flue outlet	Ø15 cm top/rear
Distance to combustible material	Behind 15 cm, to the side 70 cm
Distance to combustible material with insulated flue pipe	10 cm
Width of wood chamber	36 cm
Dimension (HxWxD)	98,2 x 44 x 40,3 cm
Distance from floor to centre of rear outlet	86,5 cm
Weight	80 kg
Colour/Material	Black sheet iron / Cast iron bottom
Energy efficiency	78%
Particle emission	1,83 g/kg
Certifications	Nordic Swan Ecolabel, NS3058, CE, EN13240 & Ecodesign 2022
Aduro-tronic automatic	✓
External air supply	✓
Energy class	A
Energy efficiency index	104,1

*Register your Aduro wood burning stove at adurofire.com/warranty/ no later than five months after purchase to get a five year warranty.

EAN: 5704065010428

Distance to combustible material (cm)



** with insulated flue pipe